

Balcony systems

Decorative surfaces and effective protection



 **KEMPER**
SYSTEM



Enhancing the enjoyment and safety of exterior living areas

Balconies and terraces are general terms used to describe an incredibly wide range of different designs and uses. Included under these general headings are all shapes, forms and sizes of balconies, terraces, French balconies, terraced condos, penthouses, loggias, covered walkways, outdoor seating areas, escape routes around a building, and also intensive and extensive green roofs, underground car park roofs used as plazas and observation decks.

All of these areas are constantly exposed to the elements, meaning that effective, dependable waterproofing is essential to prevent water from infiltrating the substrate, making extensive repair work necessary after only a few years.

In these complex confined spaces with multiple corners and edges KEMPEROL® truly comes into its own: the liquid application ensures a seamless membrane that includes the tightest corners and the material adapts to any substrate form. Adding only minimal additional weight and height to the base substrate, KEMPEROL® is an economical and durable solution for even the most complex substrate.

Any substrate waterproofed with KEMPEROL® that is exposed to extreme mechanical wear and regular chemical treatment can be additionally protected with KEMPERDUR® surfacing products. The liquid-applied KEMPERDUR® systems allow home owners and architects to express their creativity without having to make structural compromises.

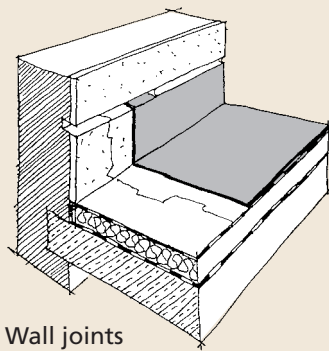


Advantages at a glance

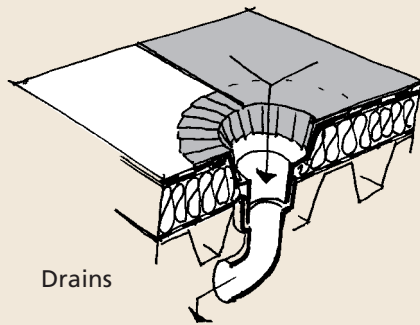
Liquid application

- No seams or joints
- Applied cold, no naked flame needed
- No wastage
- Minimum film thickness
- Low imposed weight
- Suitable for waterproofing in barrier-free rooms
- No mechanical fixtures needed
- No fillets needed
- Cost-effective on small areas

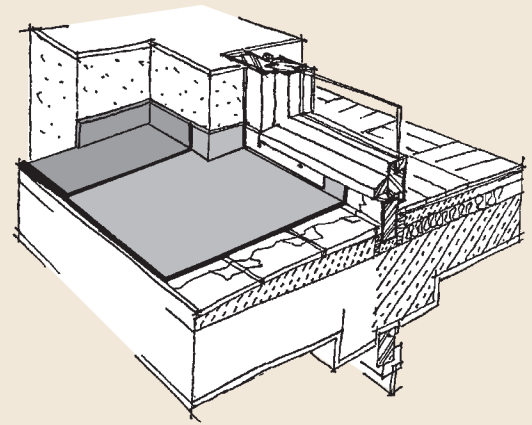
Waterproofing details on balconies:



Wall joints



Drains



Door and window joints



Application

The liquid waterproofing system is applied in a standard three-step process: apply first coating of KEMPEROL®, lay fleece, saturate with a second coat of KEMPEROL®. When working around details the fleece should be cut to fit, saturated with KEMPEROL® in the can, applied and saturated with a further coating of KEMPEROL®. Once the waterproofing course has cured, an individual surface coating is applied: decorative surfacing, tiles or wood.



Certified waterproofing systems

For many years KEMPEROL® has had general technical approval for the construction of a waterproofing system „in combination with ceramic tiles and slabs for waterproofing substrates against non-pressurized water in high wear environments“, valid for use classes A1, A2, B, C.

If tiles are laid on top of the KEMPEROL® waterproofing system, then the KEMPEROL® surface requires alkaline protection after curing. This is achieved by applying a coat of KEMPERTEC® EP Primer and incorporating KEMPERTEC® NQ 0408 Natural Quartz in the surface. This barrier dependably prevents any alkaline adhesive that is subsequently applied to the ceramic tiles from damaging the waterproofing course.

The solvent-free system

Areas of application: in sensitive environments, on balconies, terraces, covered walkways over areas that are used or to bridge cracks.

Waterproofing	Surface course coating	Surface course High build	Top coat
KEMPEROL® 2K-PUR	KEMPERDUR® Deko 2K with chips		
KEMPEROL® 2K-PUR		KEMPERDUR® HB High Build with chips	
KEMPEROL® 2K-PUR		KEMPERDUR® TC and KEMPERDUR® CQ 0408 Color Quartz	KEMPERDUR® ECO Finish
KEMPEROL® 2K-PUR		KEMPERDUR® TC and KEMPERDUR® GR 0510 Granit	KEMPERDUR® ECO Finish

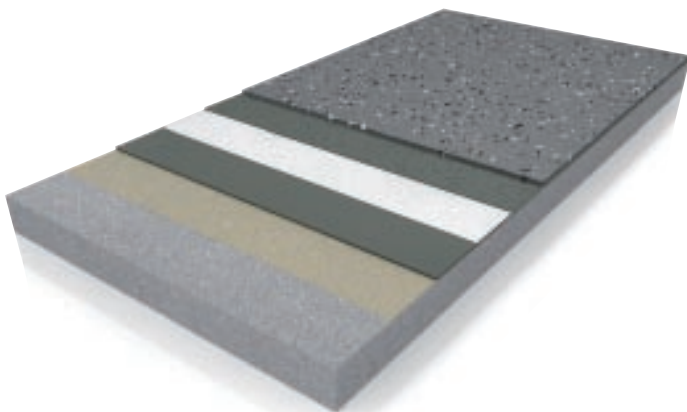
KEMPEROL® 2K-PUR with KEMPERDUR® Deko 2K

KEMPERDUR® Deko 2K is the product of choice in all areas where the waterproofing course needs protection against wear. This surface system is supremely simple to use. Coloured chips which are incorporated in the surface course provide an attractive, easy to clean surface for areas subjected to ordinary mechanical wear.

System build-up

Substrate concrete / screed

1. KEMPERTEC® EP-/EP5 Primer, sanded
2. KEMPEROL® 2K-PUR waterproofing with fleece
3. KEMPERDUR® Deko 2K with chips



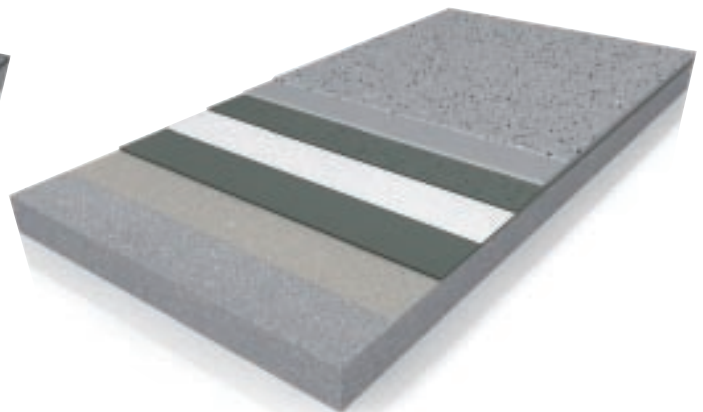
KEMPERDUR® 2K-PUR with KEMPERDUR® HB High Build coating

KEMPERDUR® HB High Build coating with a film thickness of approx. 3mm will cover small surface irregularities and fleece overlaps. This product is a highly durable coating for areas with very heavy footfall; it can be given an individual finish by incorporating coloured chips.

System build-up

Substrate concrete / screed

1. KEMPERTEC® EP-/EP5-Primer, sanded
2. KEMPEROL® 2K-PUR waterproofing with fleece
3. KEMPERDUR® HB High Build with chips





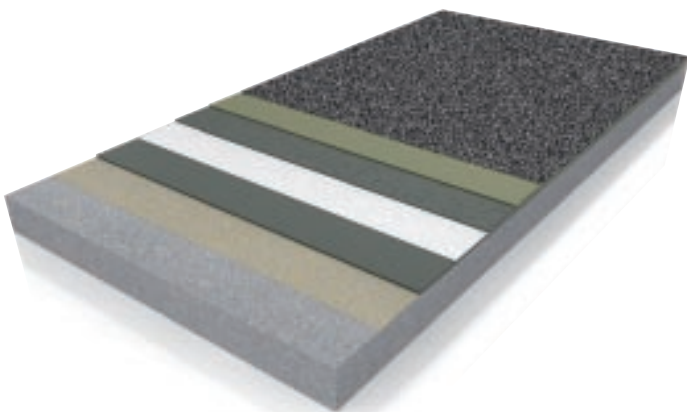
KEMPEROL® 2K-PUR Waterproofing with KEMPERDUR® TC

These two universally applicable products are the perfect combination for a complete balcony and terrace system. The waterproofing course dependably and durably protects brickwork and facades against water infiltration, and the surface course is exceptionally slip-resistant (R 13) and highly resistant to mechanical wear. Quartz sand or granite in different grain sizes and colours can be incorporated to form an individual, attractive finish that is completely solvent-free.

System build-up

Substrate concrete / screed

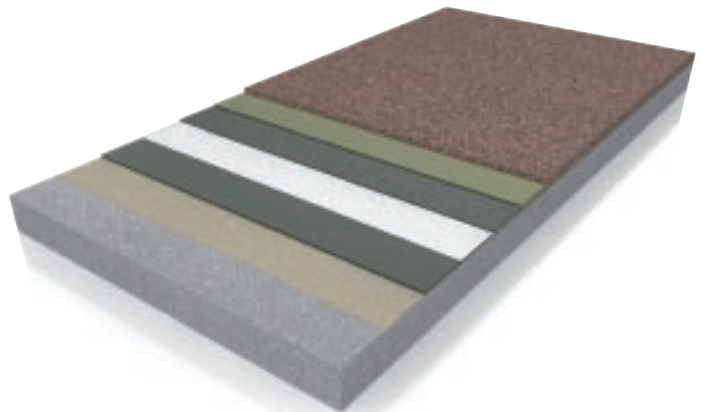
1. KEMPERTEC® EP-/EP5-Primer, sanded
2. KEMPEROL® 2K-PUR waterproofing with fleece
3. KEMPERDUR® TC with quartz sand and top coat



System build-up

Substrate concrete / screed

1. KEMPERTEC® EP-/EP5-Primer, sanded
2. KEMPEROL® 2K-PUR waterproofing with fleece
3. KEMPERDUR® TC with granite and top coat



The single component system

Areas of application: smaller areas and individual balconies and terraces, e.g. in detached or semi-detached houses.

Waterproofing	Surface course coating	Surface course High build	Top coat
KEMPEROL® 1K-PUR	KEMPERDUR® Deko with Chips		KEMPERDUR® Finish silk
KEMPEROL® 1K-PUR		KEMPERDUR® Quartz Coating	KEMPERDUR® Deko transparent
KEMPEROL® 1K-PUR		KEMPERDUR® Decor Stone	
KEMPEROL® 1K-PUR		KEMPERDUR® Sand Coating	

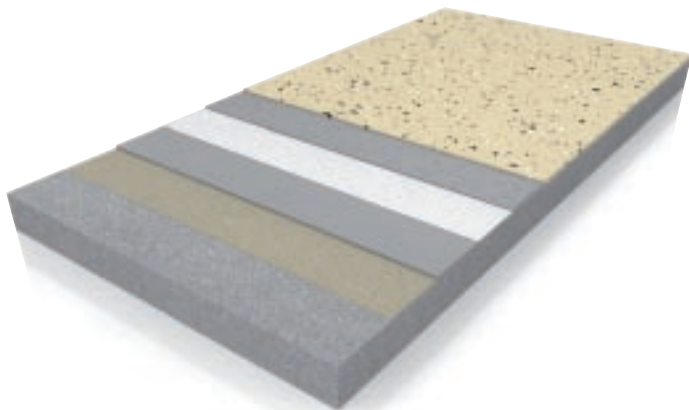
KEMPEROL® 1K-PUR Waterproofing with KEMPERDUR® Deko

Easy to apply for lasting protection: the single component KEMPERDUR® Deko is the perfect surfacing system to use on top of single component KEMPEROL® 1K-PUR waterproofing. A hard-wearing protective coating that can be given an attractive, customisable look by incorporating coloured chips. A special anti-slip granulate can be applied with the top coat to make the surface slip-resistant (category R 10).

System build-up

Substrate concrete / screed

1. Primer
2. KEMPEROL® 1K-PUR waterproofing with fleece
3. KEMPERDUR® Deko with chips
4. Top coat (optionally incorporating ASG Granulate)



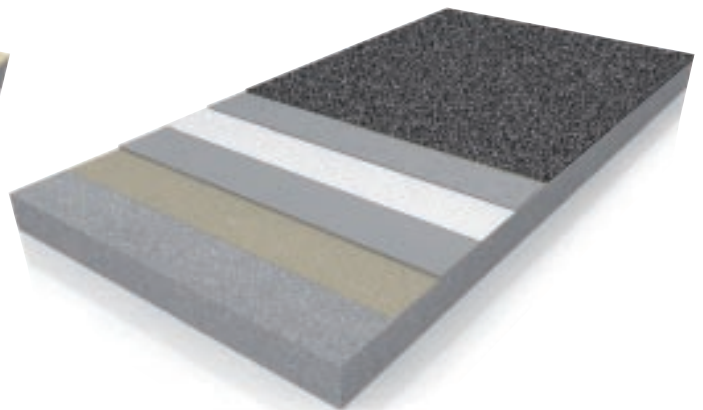
KEMPEROL® 1K-PUR Waterproofing with KEMPERDUR® Quartz Coating

This slip-resistant, easy-to-clean balcony and terrace system consists of liquid components that can be used straight from the can. The incorporation of quartz sand with grain sizes 0.4-0.8mm in the liquid KEMPERDUR® Deko transparent coating and subsequent finishing with a top coat provides a system that is both attractive and hard-wearing.

System build-up

Substrate concrete / screed

1. Primer
2. KEMPEROL® 1K-PUR waterproofing with fleece
3. KEMPERDUR® Quartz Coating with top coat KEMPERDUR® Deko transparent





The rapid-curing system

Areas of application: covered walkways, balconies and terraces where a quick-drying solution is needed.



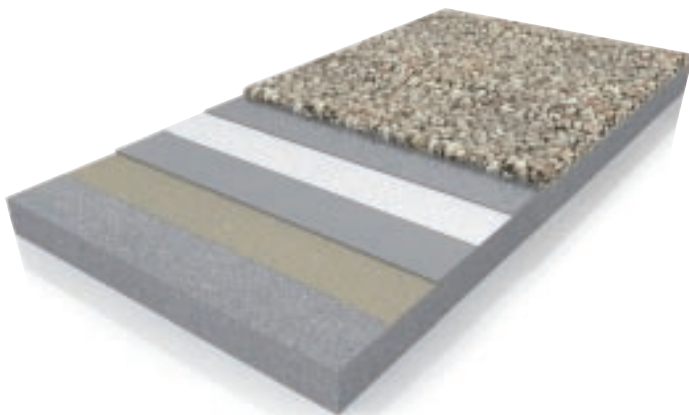
KEMPEROL® 1K-PUR waterproofing with KEMPERDUR® Decor Stone

Natural marble and granite chips in the colours beige, terra, grey and black make for a very attractive, open-pore surface system for balconies and terraces. A combination of KEMPEROL® 1K-PUR waterproofing and KEMPERDUR® Decor Stone delivers a system that provides optimum protection with an attractive, distinctive surface finish.

System build-up

Substrate concrete / screed

1. Primer
2. KEMPEROL® 1K-PUR waterproofing with fleece
3. KEMPERDUR® Decor Stone with KEMPERDUR® QB1 Binder



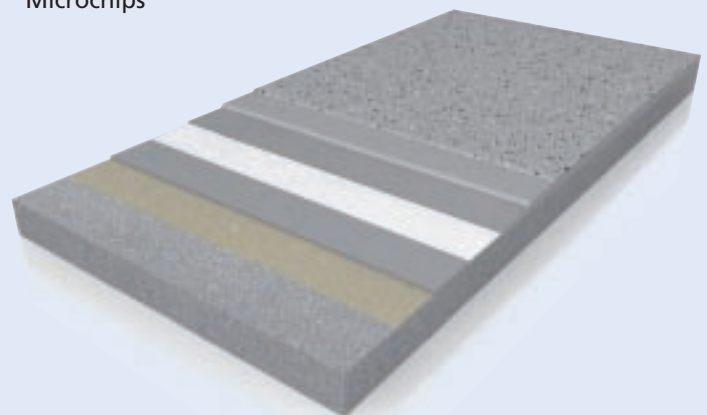
KEMPEROL® AC with KEMPERDUR® AC-Finish

KEMPEROL® AC, a system based on PMMA resin, is the ideal solution for fast repairs on all substrates where a quick-drying solution is needed, such as covered walkways, areas in front of doors and stairs or balconies that have to be completed within one day. The reaction times of the waterproofing, surfacing and finishing systems are optimally coordinated, providing a rapid-curing complete system that includes primer, waterproofing and a choice of decorative finishes.

System build-up

Substrate concrete / screed

1. Primer
2. KEMPEROL® 1K-PUR waterproofing with fleece
3. KEMPERDUR® AC surfacing
4. KEMPERDUR® AC Finish with KEMPERDUR® CS Microchips





KEMPER SYSTEM is the global market leader in the liquid-applied waterproofing segment. Ten subsidiaries in Europe, Asia and the United States, as well as cooperations with distribution partners in many countries ensure that KEMPER SYSTEM products and systems are available around the world.

Our excellent reputation as experienced specialists for difficult applications and challenges has made us an internationally sought-after partner for architects, planners, builders and contractors. Make our competence work for you!

KEMPER SYSTEM is a modern chemicals company with a deep sense of responsibility for people and the environment. We use materials from renewable sources wherever possible. KEMPER SYSTEM was a pioneer in solvent-free waterproofing and surfacing systems; solvent-free liquid waterproofing systems have been part of our portfolio for many years. Sustainability is a key issue for us. KEMPER SYSTEM's operations fulfil all the requirements of modern, forward-looking environmental protection because we believe that ecology and business go hand in hand.



Technical support and services

- Expert advice and support from our experienced technical design team
- Advice on repair projects
- Full project specifications
- Technical advice and guidance for the duration of the project
- Training courses for KEMPEROL® contractors on-site, KEMPEROL® training sessions at the KEMPER SYSTEM Training Centre and regional courses
- For detailed product information, please contact us or visit our website